

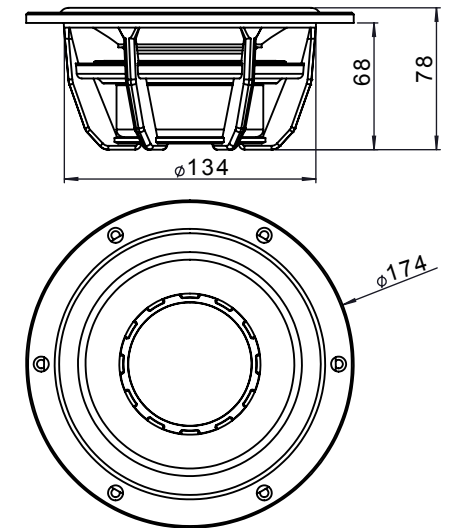
BuRock

BR-650 USER MANUAL

BR-650
6.5 Inch NEO Midbass Speaker
Die-Cast Aluminum Basket
2.5" Voice Coil 4.0 Ω

SPECIFICATIONS

| General Data | | Unit | Dimensions |
|---|-------------------|--------|-----------------|
| Overall Dimensions | 174*78 | mm | |
| Nominal Power Handling | 100 | W | |
| Transient Power 10ms | 200 | W | |
| Sensitivity | 85 | dB | |
| Frequency Response | 56-3K | Hz | |
| Cone Material | PP CONE | | |
| Net Weight | 1.2 | kg | |
| Electrical Data | | | |
| Nominal Impedance | 4 | Ohm | |
| DC Resistance | 3.2 | Ohm | |
| Voice Coil and Magnet Parameters | | | |
| Voice Coil Diameter | 65.5 | mm | |
| Voice Coil Height | 11.3 | mm | |
| HE Magnetic Gap Height | 5 | mm | |
| Max.Linear Excursion | 3.15 | mm | |
| Voice Coil bobbin | Kapton | | |
| Voice Coil Wire | Copper | | |
| Number Of Layers | 2 | layers | |
| Magnet System Type | High Flux Ferrite | | |
| BL Product | 4.77 | N.A | |
| T-S Parameters | | | |
| Suspension Compliance | Cms | 0.46 | |
| Mechanical Q Factor | Qms | 3.16 | |
| Electrical Q Factor | Qes | 0.84 | |
| Total Q Factor | Qts | 0.86 | |
| Moving Mass | Mms | 16.74 | |
| Eq.Cas Air Load(liters) | VAS | 9.04 | Liter |
| Resonant Frequency | Fs | 56 | Hz |
| Effective Piston Area | SD | 116.9 | cm ² |



FOR REFERENCE ONLY

