

FOR-X®

XMC-65RGB USER MANUAL

148*210

XMC-65RGB
6.5 Inch Marine Speaker
Ø 1.25 Inch Voice Coil 4Ω

FOR-X

General Specifications

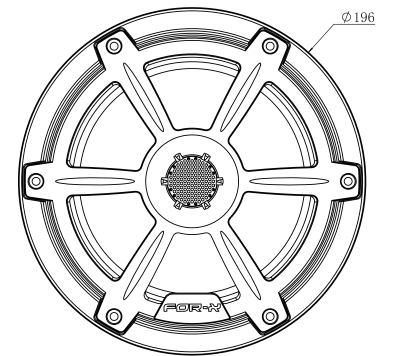
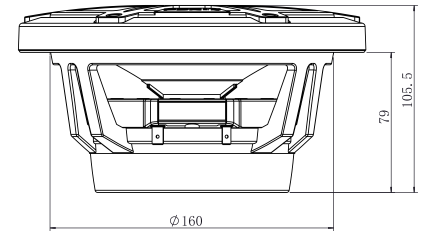
Type		Woofers	Tweeter
Overall Dimensions	mm	196*105.5	
RMS POWER	W	100	
MAX POWER	W	200	
Sensitivity	dB	89.2	
Frequency Response	Hz	55-20K	
Voice Coil Diameter	mm	30.5	25.4
Nominal Impedance	ohms	4	4
DC Resistance	ohms	3	3.2
Magnet (OZ)	Ferrite, 17.1 OZ	0.62 OZ, N52	
Basket material	ASA		
Coil Material	Copper	CCA W	
Former material	GFB-G	Aluminum	
Cone Material	MPP Cone	Silk	
Surround material	Rubber	Silk	
Voice coil winding height	mm	16	1.5
Gap height	mm	6	2
Xmax	mm	5	
BL Product	N.A	4.87	
Net weight	kg	2	

T-S Parameters

Fs	Hz	55	1.8K
Mms	g	18.3	
Cms	mm/N	0.49	
Qms		10.3	
Qes		0.87	
Qts		0.8	
Vas	L	13.6	
Sd	cm ²	165.1	
No	%	0.31	

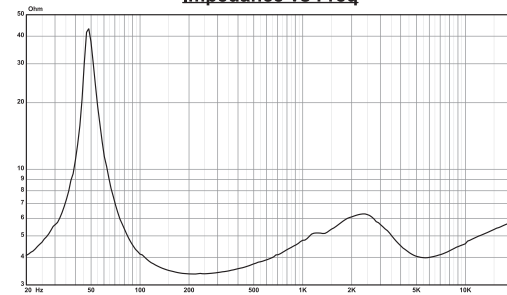
All specifications subject to change without notice!

Dimensions

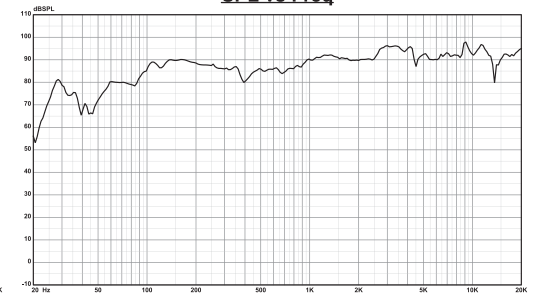


FOR REFERENCE ONLY

Impedance vs Freq



SPL vs Freq



CE

148*210