

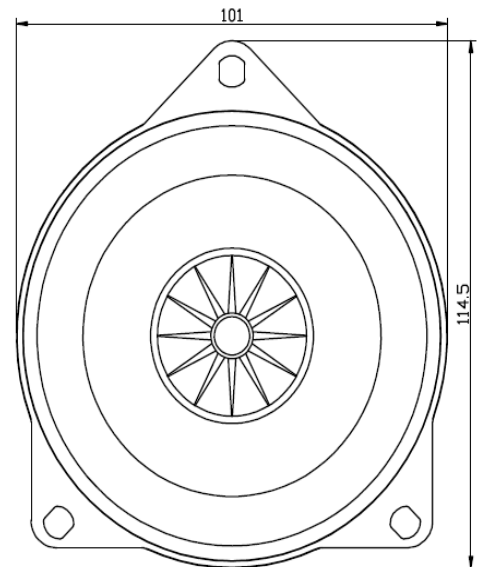
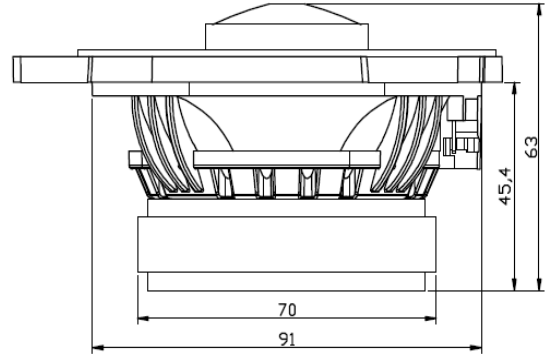
XQ-402C BMW
4 Inch 2-Way Car Coaxial Speaker
All BMW E/F/G models (except F15/F16 front door)



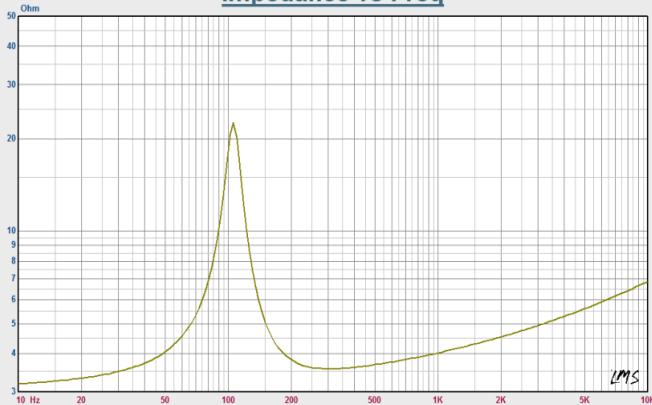
SPECIFICATIONS

| General Data | | | Unit |
|----------------------------------|-------------------|-----------|------|
| Type | Woofers | Tweeter | |
| Overall Dimensions | 114.5*101*63mm | | mm |
| Nominal Power Handling | 30 | | W |
| Transient Power 10ms | 60 | | W |
| Sensitivity | 85 | | db |
| Frequency Response | 100-20K | | Hz |
| Cone Material | Paper | Silk | |
| Net Weight | 0.5 | | kg |
| Electrical Data | | | |
| Nominal Impedance | 4 | 4 | Ohm |
| DC Resistance | 3 | 3.2 | Ohm |
| Voice coil and Magnet Parameters | | | |
| Voice Coil Diameter | 25.5 | 20.4 | mm |
| Voice Coil Height | 8.6 | 2 | mm |
| HE Magnetic Gap Height | 4 | 2 | mm |
| Max.Linear Excursion | 2 | 0 | mm |
| Voice Coil Bobbin | Kapton | Aluminium | |
| Voice Coil Wire | CCAW | CCAW | |
| Number Of Layers | 2 | 2 | |
| Magnet System Type | High Flux Ferrite | Neodymium | |
| BL Product | 2.833 | | T |
| T-S Parameters | | | |
| Suspension Compliance | Cms | 517.198u | M/N |
| Mechanical Q Factor | Qms | 6.969 | |
| Electrical Q Factor | Qes | 1.085 | |
| Total Q Factor | Qts | 0.939 | |
| Moving Mass | Mms | 4.362 | g |
| Eq.Cas Air Load(liters) | Vas | 1.999 | Ltr |
| Resonant Frequency | Fs | 106 | Hz |
| Effective Piston Area | SD | 5.217m | M |

Dimensions



Impedance vs Freq



SPL vs Freq

