

FOR-X[®]

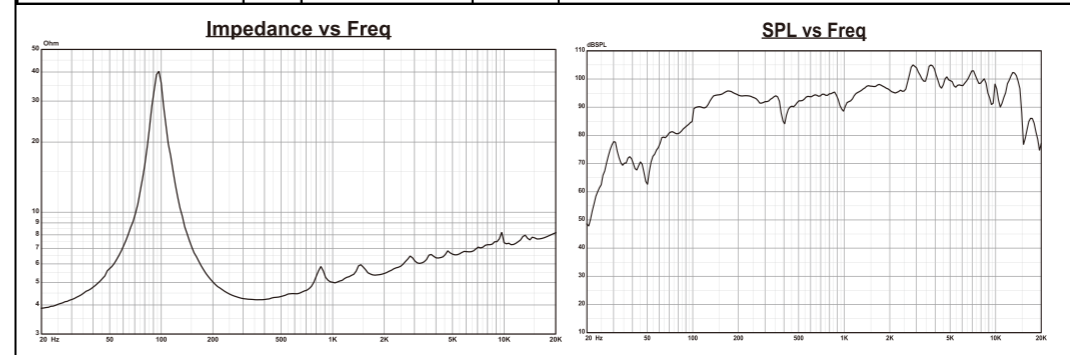
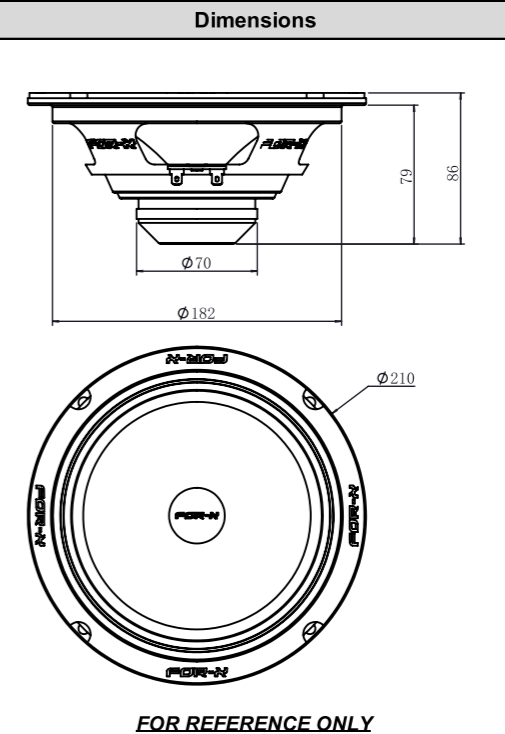
XMD-220N USER MANUAL

XMD-220N
8 Inch Midrange Speaker
Ø 1.2 Inch Voice Coil 4Ω

FOR-X[®]

SPECIFICATIONS

General Data		Unit
Overall Dimensions	210*86	mm
Nominal Power Handling	150	W
Transient Power 10ms	300	W
Sensitivity	95.2	dB
Frequency Response	95-11K	Hz
Cone Material	Paper	
Net Weight	0.8	kg
Electrical Data		
Nominal Impedance	4	Ohm
DC Resistance	3.4	Ohm
Voice Coil and Magnet Parameters		
Voice Coil Diameter	30.5	mm
Voice Coil Height	11.2	mm
HE Magnetic Gap Height	6	mm
Max. Linear Excursion	2.6	mm
Voice Coil bobbin	Kapton	
Voice Coil Wire	CCA W	
Number Of Layers	2	layers
Magnet System Type	Neodymium	
BL Product	6.66	N.A
T-S Parameters		
Suspension Compliance	Cms	0.19
Mechanical Q Factor	Qms	5.56
Electrical Q Factor	Qes	0.63
Total Q Factor	Qts	0.57
Moving Mass	Mms	13.8
Eq. Cas Air Load(liters)	VAS	12.9
Resonant Frequency	Fs	95
Effective Piston Area	SD	213.8



148*210

148*210