

XMD-3065

6.5" MIDRANGE LOUDSPEAKER

1.5 Inch Voice Coil 4 Ω



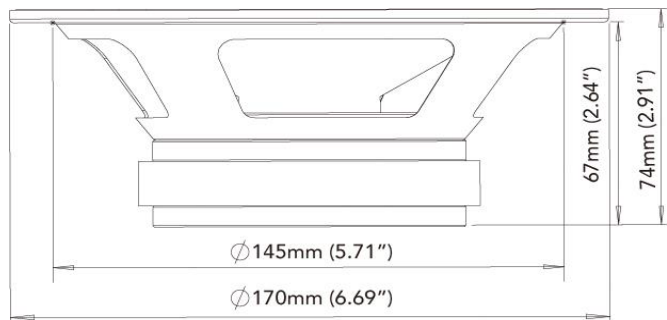
SPECIFICATIONS:

General Data		Unit
Overall Dimensions	170	mm
Mounting Depth	67	mm
Baffle Cutout Diameter	145	mm
Nominal Power Handling	100	W
Maximum Power	200	W
Sensitivity	92	Db
Frequency Response	163-9.8k	Hz
Cone Material	Paper Cone	\
Basket	Steel	\
Net Weight	1.4	KGS
Electrical Data		
Nominal Impedance	4	OHMS
DC Resistance	3.2	OHMS
Voice Coil and Magnet Parameters		
Voice Coil Diameter	38.6	mm
Voice Coil Height	7.3	mm
HE Magnetic Gap Height	5	mm
Number of Layers	2	pc
Winding Material	CCAW	\
Voice Coil Bobbin	Kapton	\
Magnet System Type	Ferrite	\
Magnet Weight	21	Oz
T-S Parameters		
Suspension Compliance	133	Cms
Mechanical Q Factor	9.1	Qms
Electrical Q Factor	1.4	Qes
Total Q Factor	1.2	Qts
Moving Mass	8.8	Mms
Eq.Cas AIR Load	3.5	Vas
Resonant Frequency	145	Fs
Effective Piston Area	136.8 cm ²	SD

Pictures



Dimensions



SPL and FREQ

