

FOR-N®

XPA-180F USER MANUAL

XPA-180F
High Power Car Subwoofer
Ø 4 Inch Voice Coil 4Ω

FOR-N®

General Specifications

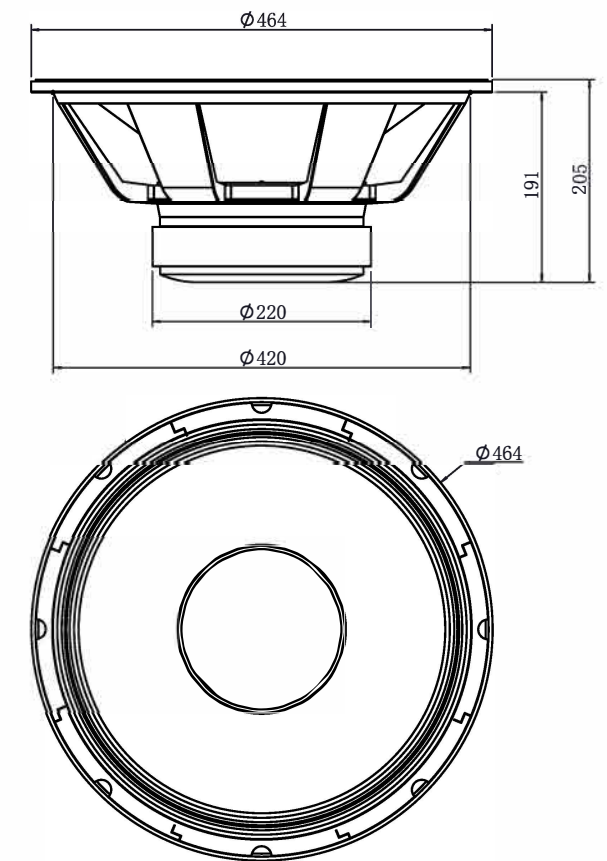
Overall Dimensions	mm	464*205
RMS POWER	W	2000
MAX POWER	W	4000
Sensitivity	dB	96.4
Frequency Response	Hz	35-1.8K
Voice Coil Diameter	mm	99.8
Nominal Impedance	ohms	4
DC Resistance	ohms	3.2
Magnet size & material	Ferrite	
Basket material	Die-Cast Aluminum Basket	
Coil Material	CCAW	
Former material	Black Aluminum	
Cone Material	Paper	
Surround material	cloth	
Voice coil winding height	mm	22
Gap height	mm	10
Xmax	mm	6
BL Product	N.A	20.53
Net weight	kg	15.55

T-S Parameters

Fs	Hz	35
Mms	g	198.7
Cms	mm/N	0.09
Qms		3.02
Qes		0.33
Qts		0.3
Vas	L	212.1
Sd	cm ²	1225.4
No	%	2.77

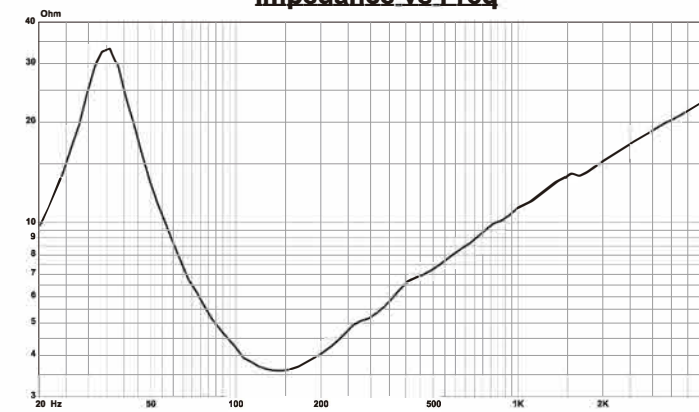
All specifications subject to change without notice!

Dimensions

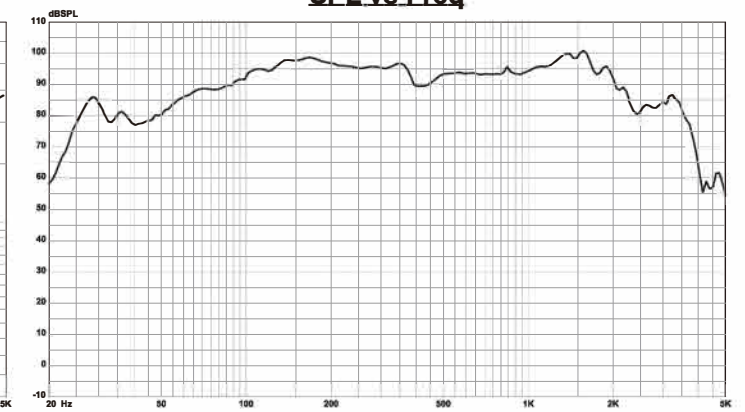


FOR REFERENCE ONLY

Impedance vs Freq



SPL vs Freq



CE