

FOR-X

XMD-525 USER MANUAL

FOR-X

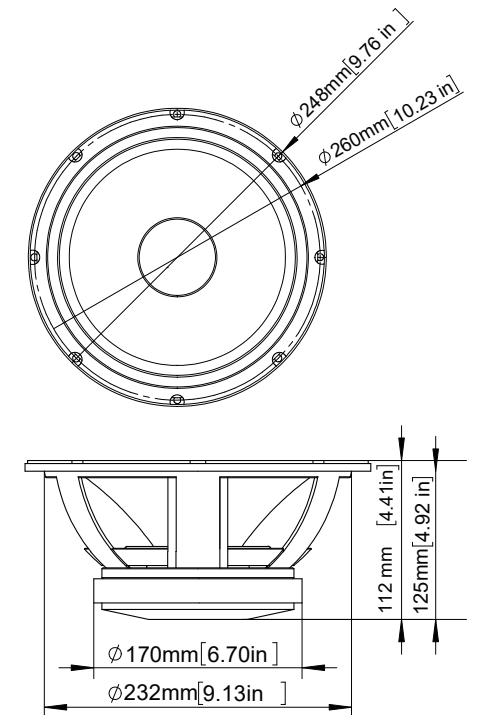
XMD-525 10 Inch Midrange Speaker



SPECIFICATIONS

General Data		Unit
Overall Dimensions	260	mm
Mounting Depth	112	mm
Over Depth	125	mm
Baffle Cutout Diameter	232	mm
Nominal Power Handling	500	W
Maximum Power	1000	W
Sensitivity	100	dB
Frequency Response	73-9.5k	Hz
Cone Material	Paper Cone	\
Basket	Aluminum	\
Electrical Data		
Nominal Impedance	4	OHMS
DC Resistance	5.2	OHMS
Voice Coil and Magnet Parameters		
Voice Coil Diameter	75	mm
Voice Coil Former Material	Glass Fiber	\
Surround Material	Cloth	\
Winding Material	CCAW	\
Motor Type	Y35	\
Motor Diameter	170	mm
Magnet System Type	Ferrite	\
Magnet Weight	69	Oz
T-S Parameters		
X-max	9.2	mm
Mechanical Q Factor	6.039	Qms
Electrical Q Factor	0.493	Qes
Total Q Factor	0.456	Qts
Displacement Volume	1.72L	Div
Eq.Cas AIR Load	35.137L	Vas
Resonant Frequency	100Hz	Fs
Recommended HI Crossover	110 Hz	Hz

Dimensions



SPL & Frequency

