

FOR-X

XMD-520 USER MANUAL

FOR-X

XMD-520

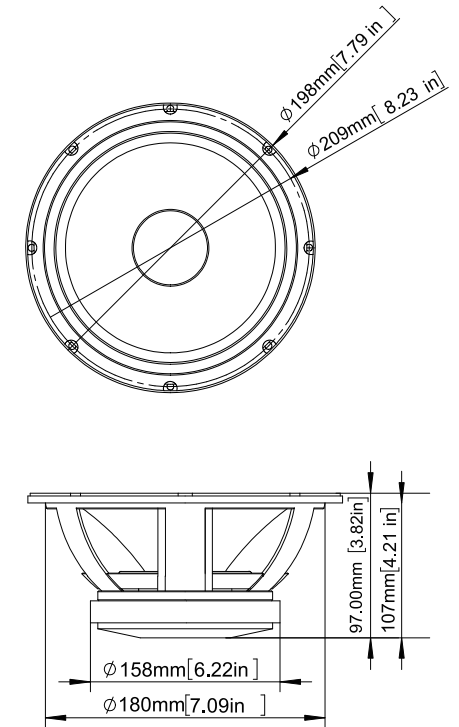
8 Inch Midrange Speaker



SPECIFICATIONS

General Data		Unit
Overall Dimensions	209	mm
Mounting Depth	97	mm
Over Depth	107	mm
Baffle Cutout Diameter	180	mm
Nominal Power Handling	300	W
Maximum Power	600	W
Sensitivity	97	dB
Frequency Response	100-10k	Hz
Cone Material	Paper Cone	\
Basket	Aluminum	\
Electrical Data		
Nominal Impedance	4	OHMS
DC Resistance	5.2	OHMS
Voice Coil and Magnet Parameters		
Voice Coil Diameter	60	mm
Voice Coil Former Material	Glass Fiber	\
Surround Material	Cloth	\
Winding Material	CCAW	\
Motor Type	Y35	\
Motor Diameter	158	mm
Magnet System Type	Ferrite	\
Magnet Weight	60	Oz
T-S Parameters		
X-max	9.2	mm
Mechanical Q Factor	2.978	Qms
Electrical Q Factor	0.398	Qes
Total Q Factor	0.351	Qts
Displacement Volume	1.5L	Dlv
Eq.Cas AIR Load	8.336L	Vas
Resonant Frequency	114Hz	Fs
Recommended HI Crossover	110 Hz	Hz

Dimensions



SPL & Frequency

