

FOR-X

USER MANUAL FOR

XQ-525CX

5.25" COAXIAL SPEAKER SYSTEM

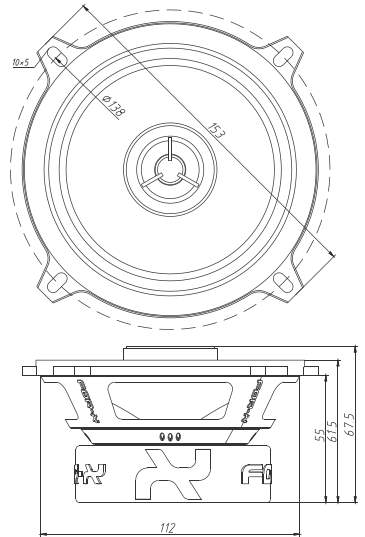
XQ-525CX

5.25" COAXIAL SPEAKER SYSTEM



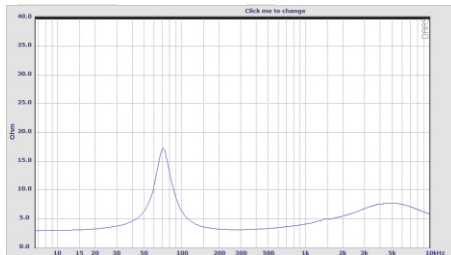
SPECIFICATIONS

General Data			Unit	
Type	Woofer	Tweeter		
Overall Dimensions	153*67.5		mm	
Nominal Power Handling	40	10	W	
Transient Power 10ms	80	20	W	
Sensitivity	87	86	dB	
Frequency Response	75-6000	1500-20K	Hz	
Cone Material	Paper	Silk		
Net Weight	0.728		kg	
Electrical Data				
Nominal Impedance	3		Ohm	
DC Resistance	2.8		Ohm	
Voice Coil and Magnet Parameters				
Voice Coil Diameter	25.5	13.28	mm	
Voice Coil Height	9.4	1.0	mm	
HE Magnetic Gap Height	2.25	1.25	mm	
Max.Linear Excursion	2.7	-0.25	mm	
Voice Coil bobbin	Aluminum	ASV		
Voice Coil Wire	SV	SV		
Number Of Layers	2	2	layers	
Magnet System Type	High Flux Ferrite	Neodymium Motor		
BL Product	3.7		N.A	
T-S Parameters				
Suspension Compliance	Cms	0.60		
Mechanical Q Factor	Qms	4.19		
Electrical Q Factor	Qes	0.76		
Total Q Factor	Qts	0.64		
Moving Mass	Mms	8.5		
Eq.Cas Air Load(liters)	VAS	6.5	Liter	
Resonant Frequency	Fs	74.2	1500	Hz
Effective Piston Area	SD	88.2		cm ²



FOR REFERENCE ONLY

Impedance vs Freq



SPL vs Freq

