

FOR-X®

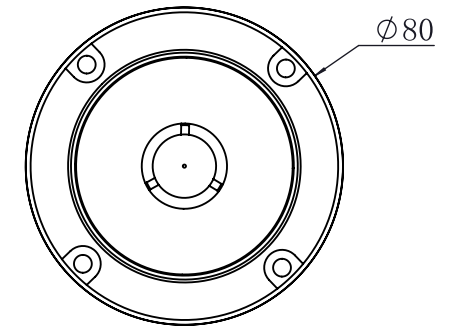
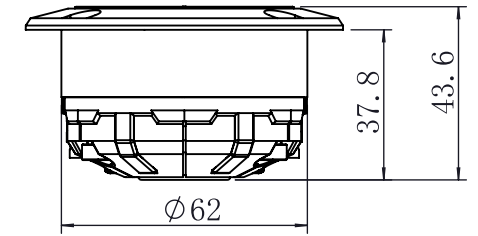
TX-78N USER MANUAL

TX-78N
High Efficiency Neodymium Tweeter
Ø 1 Inch Voice Coil 4Ω

FOR-X®

SPECIFICATIONS

General Data		Unit	Dimensions
Overall Dimensions	80*43.6	mm	
Nominal Power Handling	100	W	
Transient Power 10ms	200	W	
Sensitivity	102	dB	
Frequency Response	3K-20K	Hz	
Dome Material	Aluminum		
Net Weight	0.3	kg	
Electrical Data			
Nominal Impedance	4	Ohm	
DC Resistance	3.6	Ohm	
Voice Coil and Magnet Parameters			
Voice Coil Diameter	25.5	mm	
Voice Coil Height	1.8	mm	
HE Magnetic Gap Height	2	mm	
Max. Linear Excursion		mm	
Voice Coil bobbin	Kapton		
Voice Coil Wire	CCAR		
Number Of Layers	1	layers	
Magnet System Type	Neodymium		
T-S Parameters			
Resonant Frequency	Fs	3K	Hz



FOR REFERENCE ONLY

