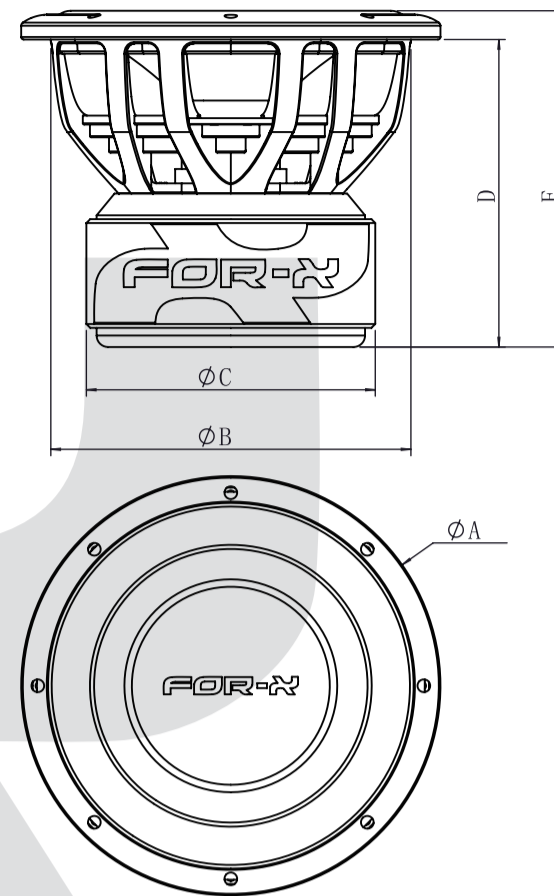


FOR-X

XW-8
XW-10
XW-12
XW-15

Owner's Manual

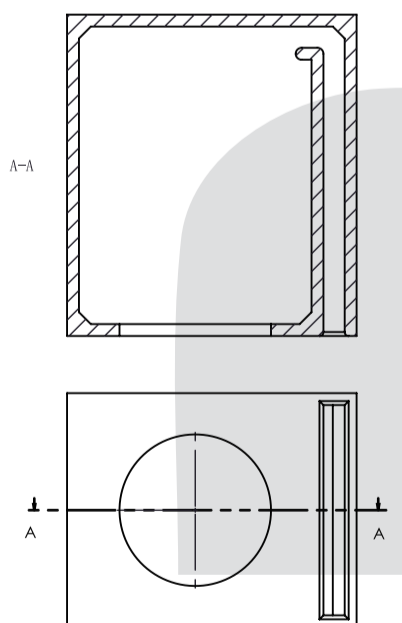
Dimensions



MODEL	A(mm)	B(mm)	C(mm)	D(mm)	E(mm)
XW-8	224	191.6	165	155	189
XW-10	276.5	234	226	219	251
XW-12	328	282	226	241	263
XW-15	397	350	226	274	312

Recommended vented enclosure informations

Model	Subwoofer Displacement (cu.ft)	Enclosure Volume(cu.ft) (net enclosure volume)	Port Area (sq.in)	Port Length (inch)	Tuning Frequency (Hz)
XW-8	0.15	0.77-1.77	13.56	16.14	35
XW-10	0.33	1.09-2.09	16.74	17.58	34.5
XW-12	0.39	1.45-2.45	20.93	20.08	31.5
XW-15	0.58	1.87-2.87	26.35	25.07	30



Vented box for reference

Sealed enclosure not recommended!

Specifications

General Data		XW-8D1	XW-8D2	XW-10D1	XW-10D2	XW-12D1	XW-12D2	XW-15D1	XW-15D2
Overall Dimensions	mm	224*189		277*218		321*228		392*250	
Nominal Power Handling	W	700				2000			
Transient Power 10ms	W	1400				4000			
Sensitivity	dB	80.2		83.5		83.9		87.5	
Frequency Response	Hz	30-300		30-300		30-300		30-300	
Cone Material		PAPER							
Net Weight	kg	9.8		27.45		27.9		29.15	
Electrical Data									
Nominal Impedance	Ohm	Dual 1	Dual 2	Dual 1	Dual 2	Dual 1	Dual 2	Dual 1	Dual 2
DC Resistance	Ohm	Dual 1	Dual 2	Dual 1	Dual 2	Dual 1	Dual 2	Dual 1	Dual 2
Voice Coil and Magnet Parameters									
Voice Coil Diameter	mm	61.1				76.5			
Voice Coil Height	mm	43				63.5			
HE Magnetic Gap Height	mm	15				25			
Max.Linear Excursion	mm	14				19.25			
Voice Coil bobbin		Black Aluminium(USA)							
Voice Coil Wire		Aluminum		Flat Aluminum					
Number Of Layers	layers	6		8					
Magnet System Type		Ferrite							
BL Product	N.A	11.38	13.23	24.12	32.7	24.01	32.69	21.47	32.3
T-S Parameters									
Resonant Frequency	Fs	47	49	42	43	34	35	30	32
Moving Mass	Mms	150.1	142.5	408.7	390.3	535.6	527.5	554.6	574.8
Suspension Compliance	Cms	0.034	0.033	0.027	0.028	0.03	0.29	0.03	0.034
Mechanical Q Factor	Qms	5.78	5.87	3.27	4.31	4.14	4.41	4.1	4.26
Electrical Q Factor	Qes	0.75	0.81	0.31	0.42	0.34	0.37	0.31	0.34
Total Q Factor	Qts	0.67	0.7	0.28	0.3	0.31	0.34	0.29	0.31
Eq.Cas Air Load(liters)	VAS	1.55	1.5	4.32	4.12	9.1	9.31	28.4	30.04
Effective Piston Area(cm ²)	SD	176.7	176.7	330.06	330.06	471.4	471.4	779.3	779.3
Connection:		Series	Series	Series	Series	Series	Series	Series	Series

