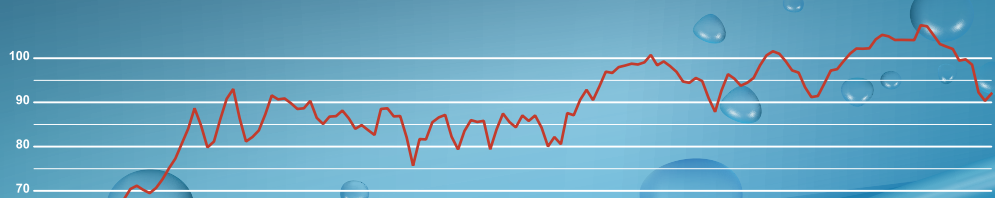


FOR-X

SPL VS FREQ



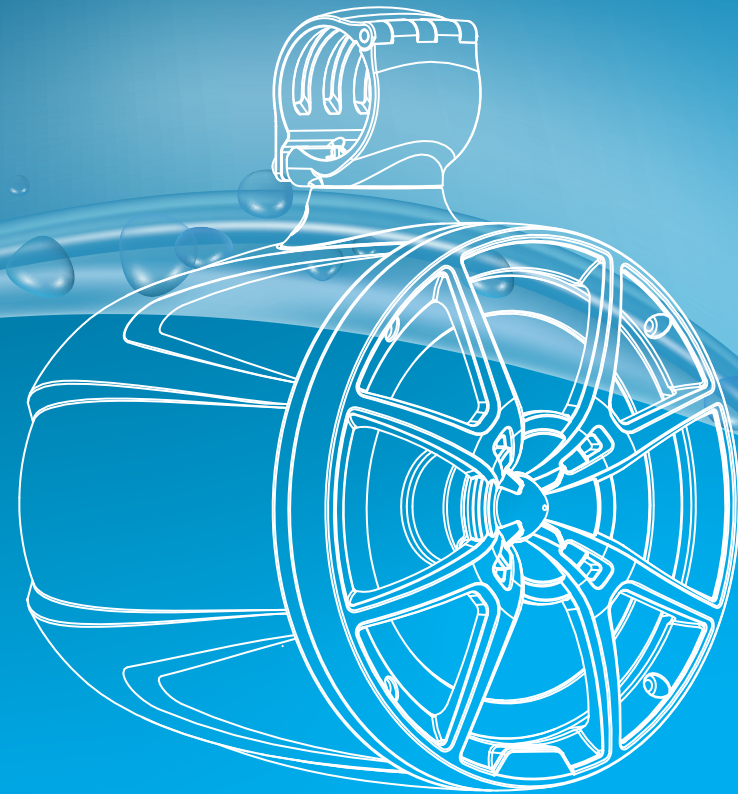
XMC-802RGB SPECIFICATIONS

- 8" Marine Loudspeaker with RGB LED Light
- High Strength Aluminum Basket
- High Temperature Kccaw Voice Coil
- PP Waterproof Cone with Rubber Edge
- Ferrite Magnet Motor
- 600 Watts Max Power
- Sensitivity 92 dB
- Frequency Response 43-22kHz
- Nominal Impedance 4 Ohms
- RGB LED Light with Controller

RGB LED LIGHT

Marine Speaker

FOR-X



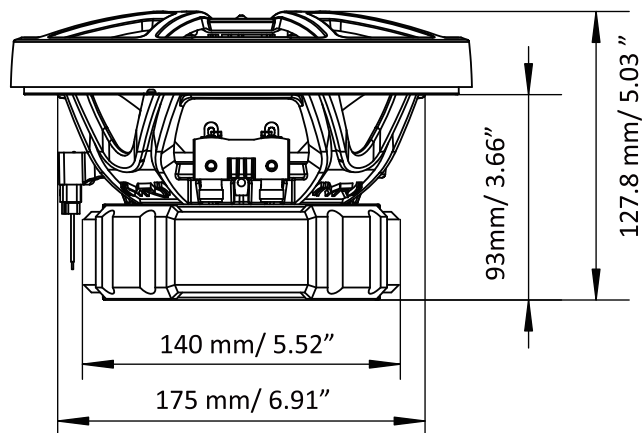
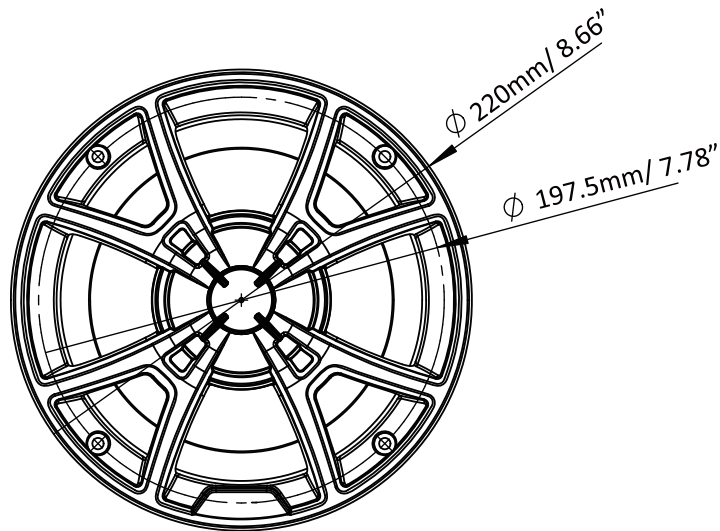
XMC-802RGB

TOWER / FULLRANGE 8" MARINE SPEAKER WITH LED 600W/PAR

 IP68 Waterproof

PRODUCT MANUAL

FOR-X



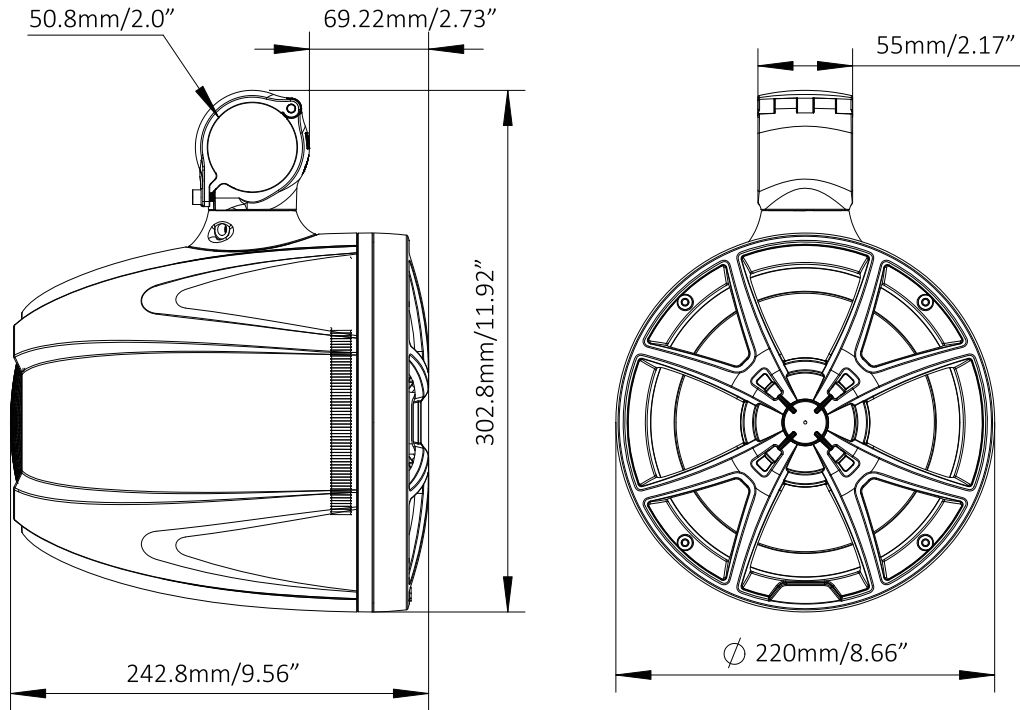
General Data		Unit
Overall Dimensions	220	mm
Mounting Depth	93	mm
Over Depth	127.8	mm
Baffle Cutout Diameter	175	mm
Nominal Power Handling	300	W
Maximum Power	600	W
Sensitivity	92	dB
Frequency Response	43-22k	Hz
Cone Material	PP Cone	\
Basket	Aluminum	\
Electrical Data		
Nominal Impedance	4	OHMS
DC Resistance	3.2	OHMS
Voice Coil and Magnet Parameters		
Voice Coil Diameter	50.8	mm
Voice Coil Former Material	Glass Fiber	\
Surround Material	Cloth	\
Winding Material	CCAW	\
Motor Tpye	Y35	\
Motor Diameter	134	mm
Magnet System Type	Ferrite	\
Magnet Weigth	50	Oz
T-S Parameters		
X-max	9.5	mm
Mechanical Q Factor	7.883	Qms
Electrical Q Factor	0.696	Qes
Total Q Factor	0.64	Qts
Displacement Volume	/	Dlv
Eq.Cas AIR Load	12.383L	Vas
Resonant Frequency	76Hz	Fs
Recommended HI Crossover	75 Hz	Hz

MARINE SPEAKER

UTV AVAILABLE

XMC-802RGB TOWER LED

• **Tower Dimensions**

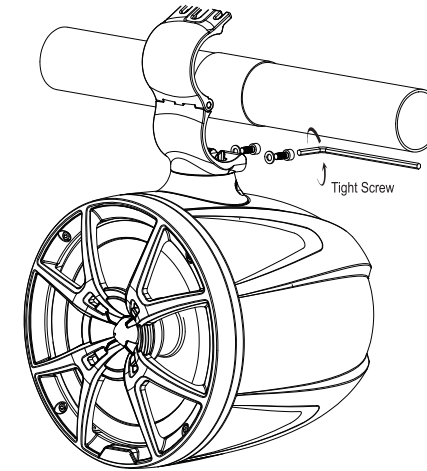


STEP 1

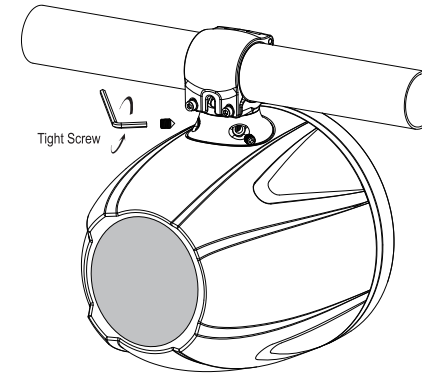
• **Grill Tweeter Specifications**

SPECIAL WATERPROOF DESIGN TWEETER
 25.4 mm HIGH TEMPERATURE KCCAW VOICE COIL
 NEODYMIUM MAGNET MOTOR
 200 WATTS MAX POWER
 SENSITIVITY 105 dB
 NOMINAL IMPEDANCE 8 OHMS

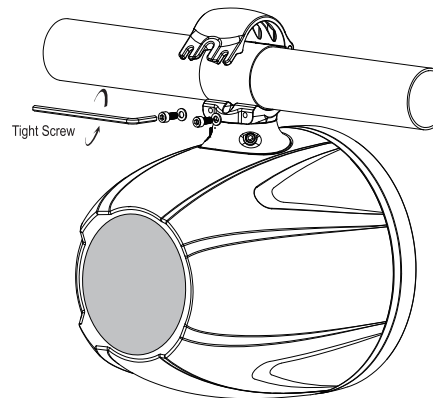
• **Install Informations**



STEP 1



STEP 2

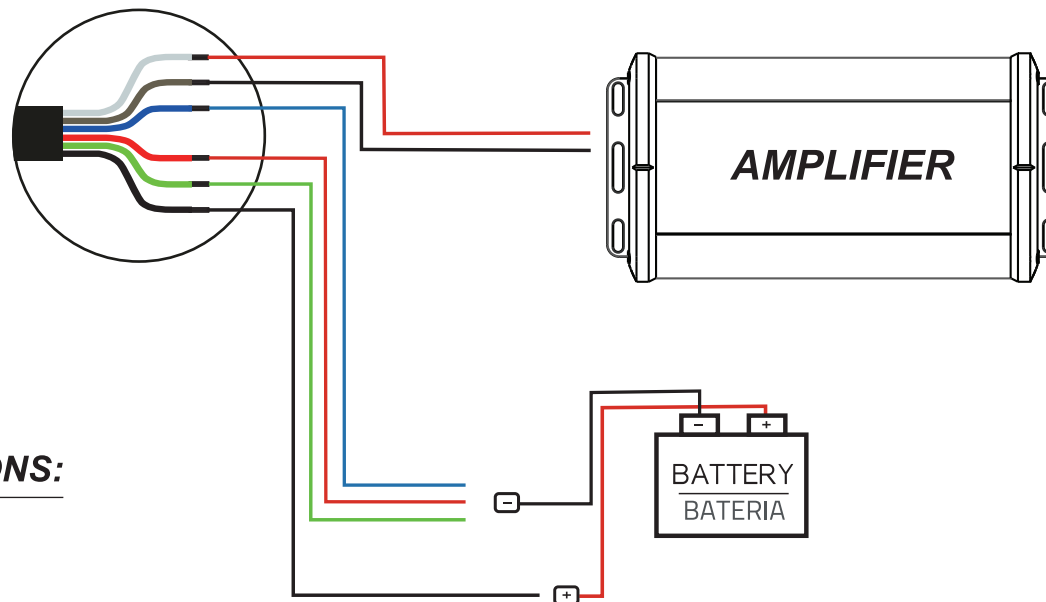
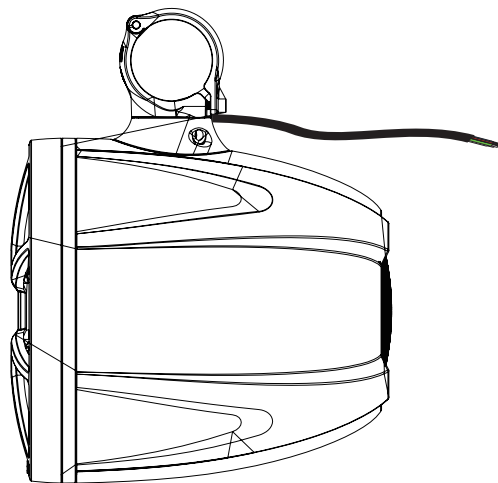


STEP 3

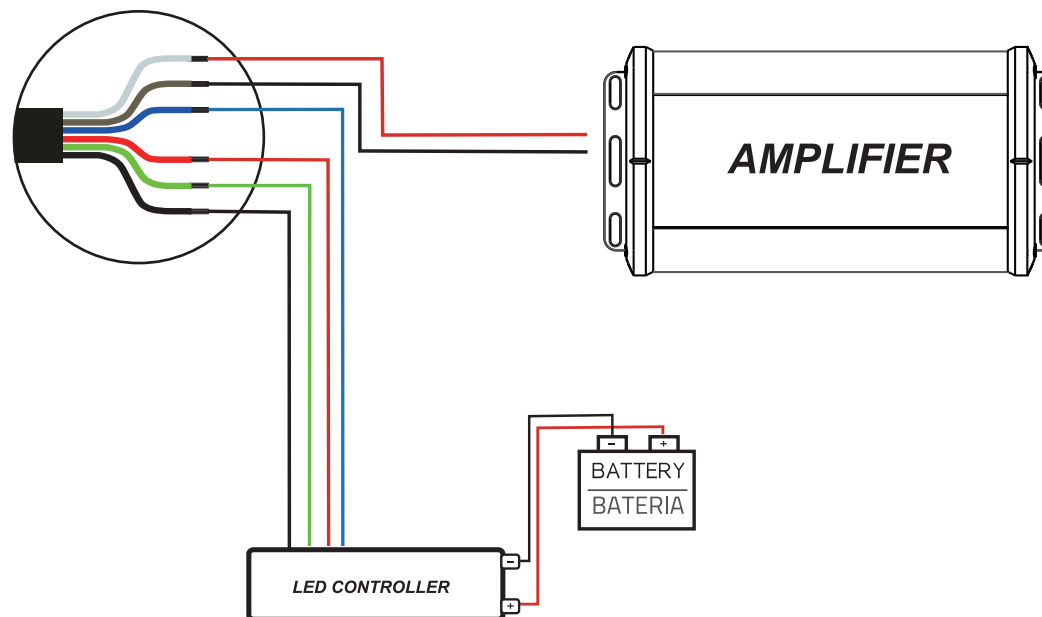
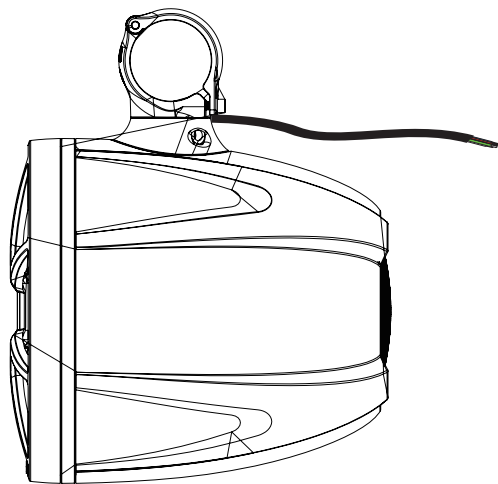
TOR-X
MARINE SPEAKER

UDR-X MARINE SPEAKER

• EXAMPLE OF LIGHT CONNECTIONS:



• EXAMPLE OF LIGHT CONNECTIONS:
With Controller



- Blue LED (-) / LED Azul (-)
- Red LED (-) / LED Rojo (-)
- Green LED (-) / LED Verde (-)
- Black 12V OC (+) / 12 V OC Negro (+)
- White Speaker (+) / Altavoz Blanco (+)
- Grey Speaker (-) / Altavoz Gris (-)