

**XCX-602SL**  
**6.5 Inch 2-Way Car Coaxial Speaker**  
**1"Voice Coil 40hm**



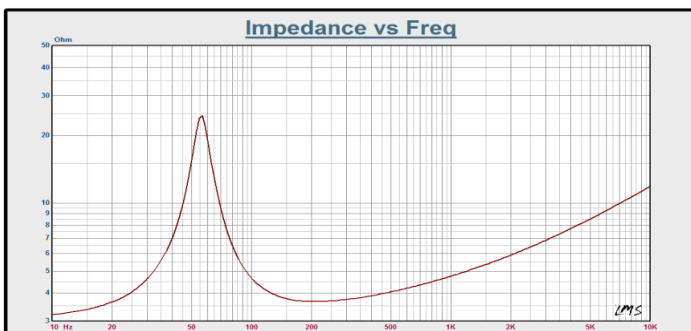
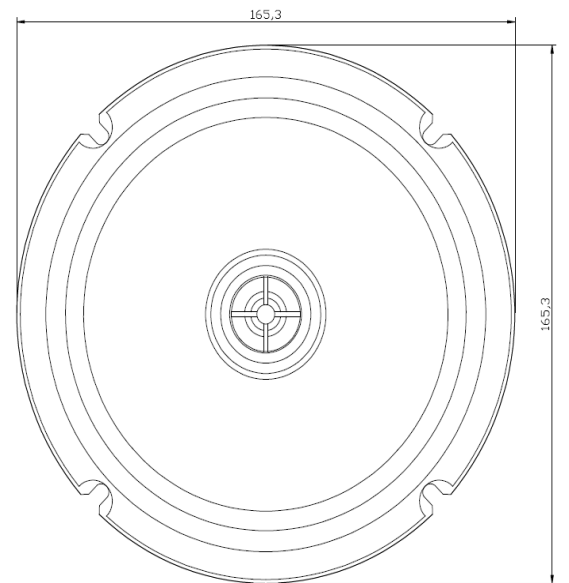
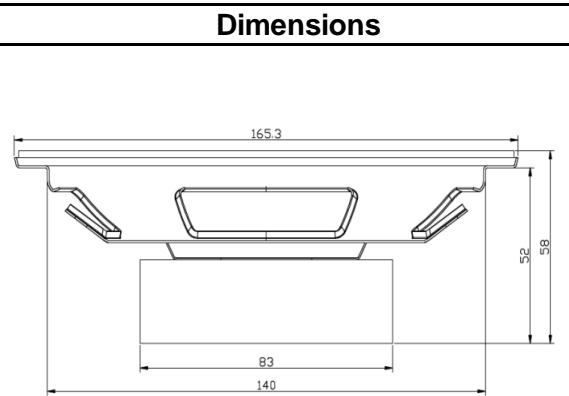
**SPECIFICATIONS**

General Data			Unit
Type	Woofers	Tweeters	
Overall Dimensions	165.3*165.3*58mm		mm
Nominal Power Handling	35		W
Transient Power 10ms	70		W
Sensitivity	88		db
Frequency Response	56-20K		Hz
Cone Material	Paper	Silk	
Net Weight	0.773		kg

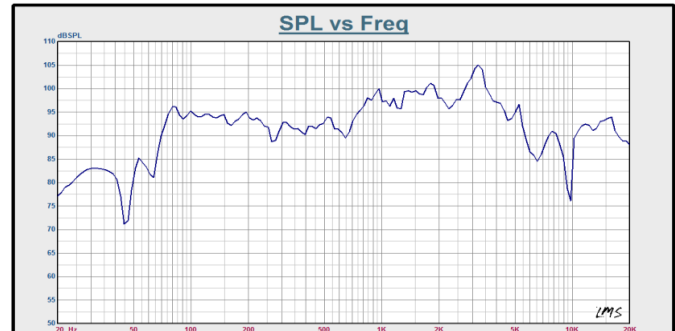
Electrical Data			
Nominal Impedance	4	4	Ohm
DC Resistance	3	3.2	Ohm

Voice coil and Magnet Parameters			
Voice Coil Diameter	25.5	13.28	mm
Voice Coil Height	8.6	2	mm
HE Magnetic Gap Height	4	2	mm
Max.Linear Excursion	2	0	mm
Voice Coil Bobbin	Kapton	Aluminium	
Voice Coil Wire	SV	CCAW	
Number Of Layers	2	2	
Magnet System Type	High Flux Ferrite	Neodymium	
BL Product	4.031		T

T-S Parameters			
Suspension Compliance	Cms	666.110u	M/N
Mechanical Q Factor	Qms	5.61	
Electrical Q Factor	Qes	0.786	
Total Q Factor	Qts	0.69	
Moving Mass	Mms	12.076	g
Eq.Cas Air Load(liters)	Vas	18.257	Ltr
Resonant Frequency	Fs	56	Hz
Effective Piston Area	SD	13.893m	M



Imp	19 - SplModel: XCX-602SL
Notes	Res=3.885 Ohm, Fs=56.117 Hz, Sd=13.893m, Mms=12.076g Q=4.031, BL=4.031, Cms=666.110u, Vas=18.257L, Qes=0.786, Qms=5.61, Qts=0.69 Vas=18.257 Ltr, Cms=666.110u MM, Kms=5.821m Ohm, Ems=0.834 Mms=12.076g, Mod=11.136m Ka, Kom=5.883m H, Ekm=0.841
LMSS	4.0.0.371 21/09/2007
Project	Aug 22, 2023 Tue 10:50 am
Company	FOR X



SPL	25 - XCX-602SL
Notes	
LMSS	4.0.0.371 21/09/2007
Project	Aug 22, 2023 Tue 10:48 am
Company	FOR X