

FOR-X

XW-2065

XW-2008

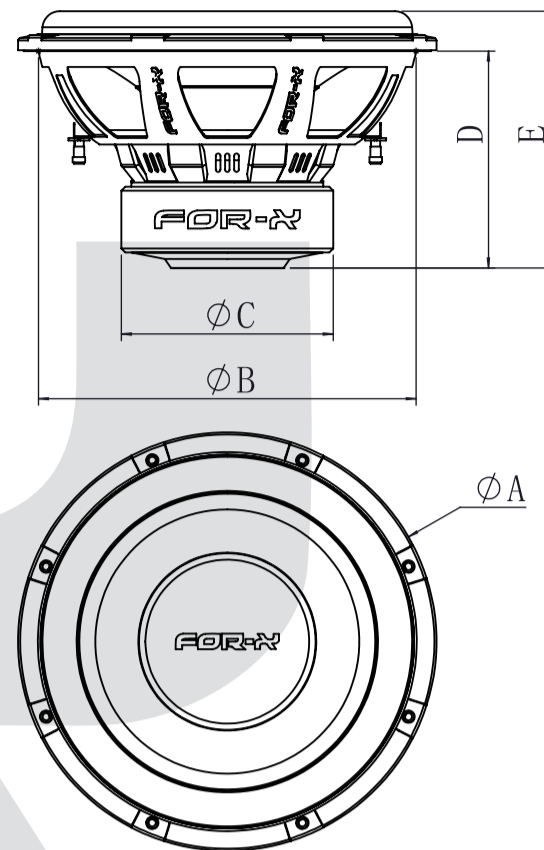
XW-2410

XW-2412

XW-2415

Owner's Manual

Dimensions



MODEL	A(mm)	B(mm)	C(mm)	D(mm)	E(mm)
XW-2065	173	137	131	95	113
XW-2008	216	183	139	108	129
XW-2410	278	228	161	149	179
XW-2412	318	287	161	165	195
XW-2415	393	355	161	184	215

Recommended vented enclosure informations

Model	Subwoofer Displacement (cu.ft)	Enclosure Volume (cu.ft) (net enclosure volume)	Port Area (sq.in)	Port Length (inch)	Tuning Frequency (Hz)
XW-2065	0.034	0.4-0.86	8.13	17.33	45
XW-2008	0.05	0.57-1.22	11.72	15.9	38
XW-2410	0.097	0.67-1.43	15.46	22.4	32
XW-2412	0.151	1.15-2.45	16.34	25.12	30
XW-2415	0.228	2.25-4.82	32.36	29	29

Specifications

General Data		XW-2065D2	XW-2065D4	XW-2008D2	XW-2008D4	XW-2410D2	XW-2410D4	XW-2412D2	XW-2412D4	XW-2415D2	XW-2415D4
Overall Dimensions	mm	173*113		216*129		278*179		318*195		393*215	
Nominal Power Handling	W	250		400		700		700		700	
Transient Power 10ms	W	500		800		1400		1400		1400	
Sensitivity	dB	83.5	83.8	83.6	84.2	83.5	83	85.5	85.2	87.3	86.8
Frequency Response	Hz	61-300	62-300	53-300	55-300	31-300	33-300	28-300	30-300	28-300	27-300
Cone Material		PAPER									
Net Weight	kg	3.25		4.15		7		7.15		7.9	
Electrical Data											
Nominal Impedance	Ohm	Dual 2	Dual 4	Dual 2	Dual 4	Dual 2	Dual 4	Dual 2	Dual 4	Dual 2	Dual 4
DC Resistance	Ohm	Dual 1.8	Dual 3.2	Dual 1.8	Dual 3.2	Dual 1.8	Dual 3.2	Dual 1.8	Dual 3.2	Dual 1.8	Dual 3.2
Voice Coil and Magnet Parameters											
Voice Coil Diameter	mm	50.8		50.8		61.1		61.1		61.1	
Voice Coil Height	mm	21.6		25.5		33		33		33	
HE Magnetic Gap Height	mm	8		8		8		8		8	
Max.Linear Excursion	mm	6.8		8.75		12.5		12.5		12.5	
Voice Coil bobbin		Black aluminum									
Voice Coil Wire		Copper									
Number Of Layers	layers	4L									
Magnet System Type		Ferrite									
BL Product	N.A	12.47	7.4	14.82	9.06	18.1	10.4	17.8	10.5	18.85	11.36
T-S Parameters											
Suspension Compliance	Cms	0.13	0.112	0.089	0.088	0.12	0.12	0.135	0.12	0.12	0.14
Mechanical Q Factor	Qms	4.65	4.42	4.33	4.35	4.23	4.63	4.62	4.63	4.91	4.53
Electrical Q Factor	Qes	0.56	0.61	0.54	0.59	0.55	0.63	0.57	0.67	0.67	0.76
Total Q Factor	Qts	0.49	0.53	0.46	0.53	0.47	0.55	0.53	0.57	0.58	0.64
Moving Mass	Mms	55.73	49.3	98.6	83.1	198.7	168.3	243.8	232.1	349.9	331.8
Eq.Cas Air Load(liters)	VAS	2.87	3.07	6.2	5.53	19.5	17.3	54.2	49.2	109.8	117.2
Resonant Frequency	Fs	61	62	53	55	31	33	28	30	28	27
Effective Piston Area(CM ²)	SD	138.9		201.06		330.06		530.9		855.3	
Connection:		Series	Parallel	Series	Parallel	Series	Parallel	Series	Parallel	Series	Parallel

