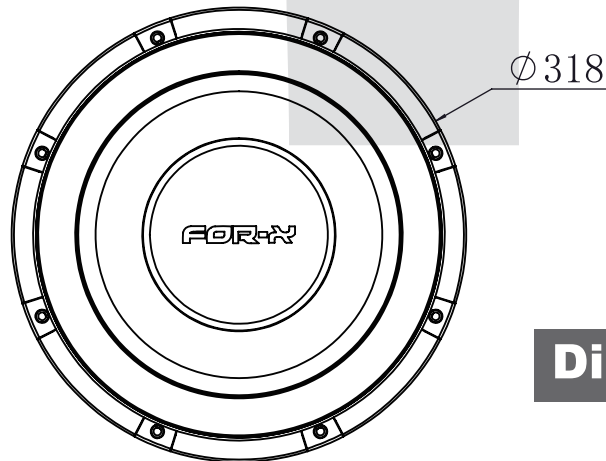
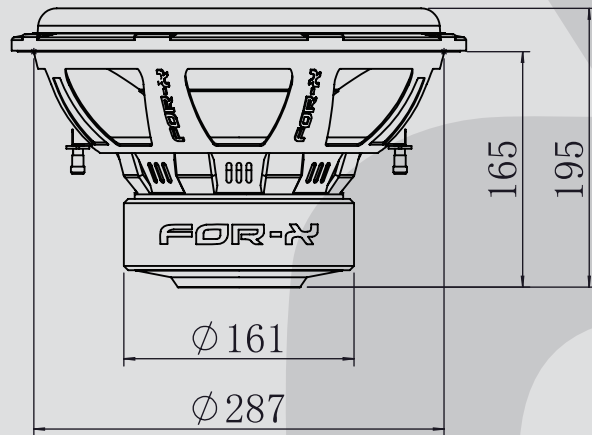


FOR-X

XW-2412 S4

Owner's Manual



Dimensions

Recommended vented enclosure informations

Model	Subwoofer Displacement (cu.ft)	Enclosure Volume (cu.ft) (net enclosure volume)	Port Area (sq.in)	Port Length (inch)	Tuning Frequency (Hz)
XW-2412 S4	0.151	1.15-2.45	16.34	25.12	30

General Specifications

Overall Dimensions	mm	318*195
RMS POWER(AES)	W	700
MAX POWER	W	1400
Sensitivity	dB	86.5
Frequency Response	Hz	29-300
Voice Coil Diameter	mm	61.1
Nominal Impedance	ohms	4
DC Resistance	ohms	3.2
Magnet (OZ)	Ferrite	
Basket material	Stamped Steel Basket	
Coil Material	Copper	
Former material	Black Aluminum	
Cone Material	Paper	
Surround material	Foam	
Voice coil winding height	mm	34.2
Gap height	mm	8
Xmax	mm	13.1
BL Product	N.A	18.6
Net weight	kg	7.2

T-S Parameters

Fs	Hz	29
Mms	g	249.3
Cms	mm/N	0.135
Qms		4.62
Qes		0.53
Qts		0.5
Vas	L	53.5
Sd	m ²	530.9
No	%	0.22

All specifications subject to change without notice!

