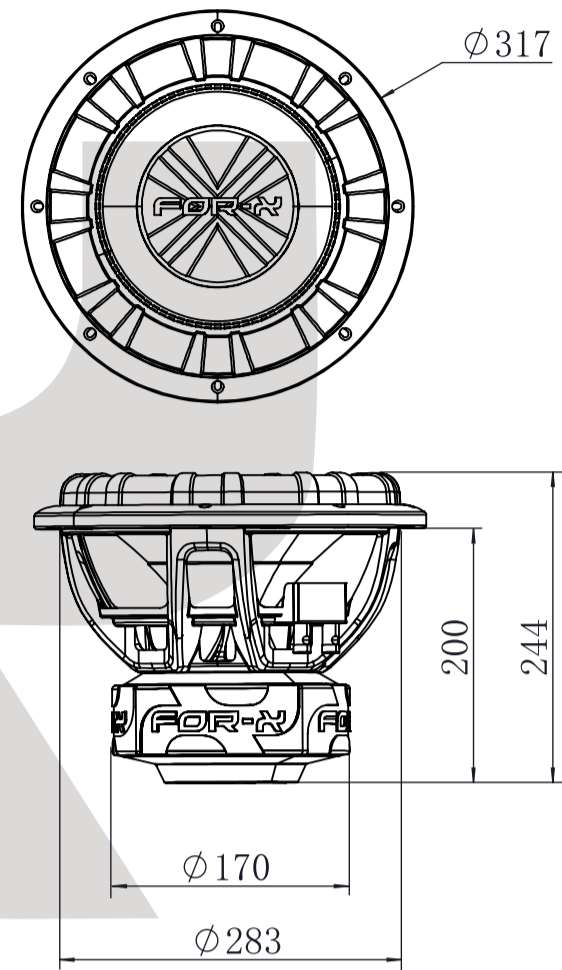


FOR-N

XW-1225

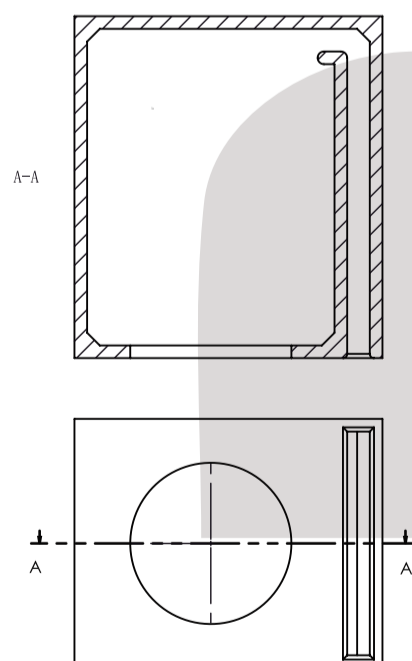
Owner's Manual

Dimensions



XW-1225 SIZE

Recommended sealed enclosure informations			
Model	Subwoofer Displacement (cu.ft)	Enclosure Volume(cu.ft) (net enclosure volume)	Tuning Frequency (Hz)
XW-1225	0.199	1.236-1.942	34



Vented box for reference

Sealed enclosure not recommended!

Specifications

General Data		XW-1225 D2	XW-1225 D4
Overall Dimensions	mm	317*244	
Nominal Power Handling	W	1000	
Transient Power 10ms	W	2000	
Sensitivity	dB	85.3	85.7
Frequency Response	Hz	37-300	38-300
Cone Material		Paper	
Net Weight	kg	10.65	
Electrical Data			
Nominal Impedance	ohms	Dual 2	Dual 4
DC Resistance	ohms	Dual 1.8	Dual 3.2
Voice COIL and Magnet Parameters			
Voice Coil Diameter	mm	65.5	
Voice Coil Height	mm	40	
HE Magnet Gap Height	mm	10	
Max.Linear Excursion	mm	15	
Voice Coil bobbin		Black Aluminium	
Voice Coil Wire		COPPER	
Number Of Layers	layers	4	
Magnet System Type		Ferrite 177.67 Oz	
BL Product	NA	12.1	12.6
T/S Parameters			
Resonant Frequency	Fs	37	38
Moving Mass	Mms	325.2	308.3
Suspension Compliance	Cms	0.05	0.05
Mechanical Q Factor	Qms	6.18	5.76
Electrical Q Factor	Qes	0.49	0.53
Total Q Factor	Qts	0.45	0.48
Eq.Cas Air Load(liters)	VAS	20.9	21.3
Effective Piston Area(cm ²)	SD	510.7	
Connection:		Series	Parallel

