

X-815D1

15" Neodymium Magnet Subwoofer

FOR-X

www.for-x.com.tr

General Specifications

Overall Dimension	mm	391*331
RMS POWER	W	3000
MAX POWER	W	6000
Sensitivity	dB	89.7
Frequency Response	Hz	34-300
Voice Coil Diameter	mm	99.3
Nominal Impedance	ohms	Dual 1
DC Resistance	ohms	Dual 0.75
Magnet (OZ)	Neodymium, 187.3 OZ N38SH	
Basket material	Die-Cast Aluminum Basket	
Coil Material	Aluminum Flat Wire	
Former material	Black Aluminum	
Cone Material	Fiberglass	
Surround material	Foam	
Voice coil winding height	mm	83.8
Gap height	mm	45
Xmax	mm	19.4
BL Product	N.A	29.4
Net weight	kg	33.35



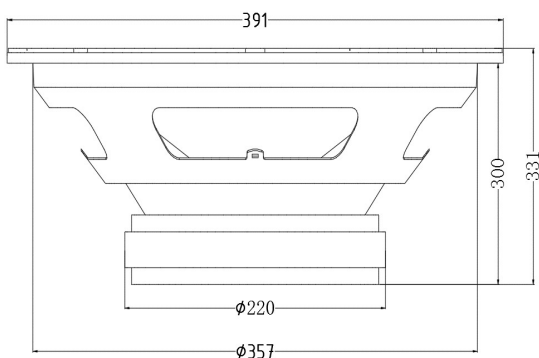
T-S Parameters

Fs	Hz	34
Mms	g	700.2
Cms	mm/N	0.02
Qms		2.61
Qes		0.22
Qts		0.2
Vas	L	26.8
Sd	cm ²	779.3
No	%	0.452

All specifications subject to change without notice!

- 1.FEM optimized open motor, provide low distortion and highly motor efficiency
- 2.10" double PC mixture dampers
3. Fiberglass composite cone
4. 4inch diameter 4 layer coil

Dimensions



Frequency

Tested method : Series

