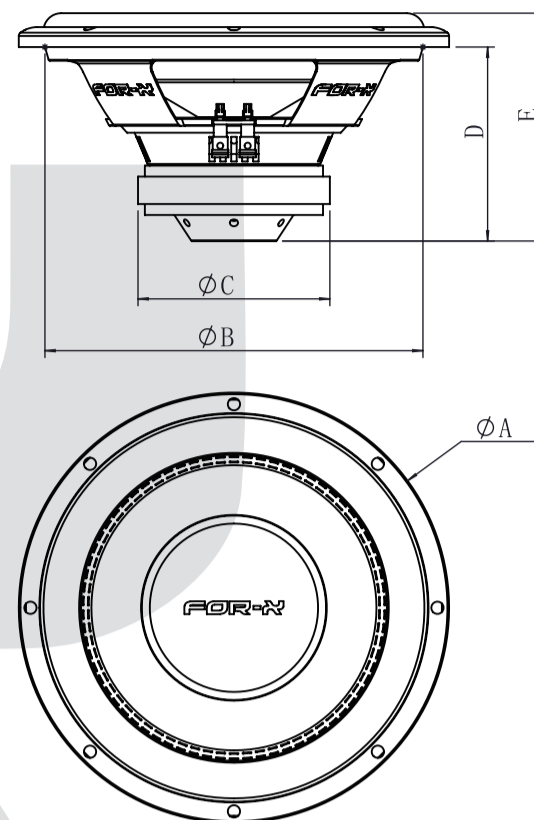


# FOR-X

**XW-2020S4**  
**XW-2025S4**  
**XW-2030S4**  
**XW-2038S4**

## Owner's Manual

### Dimensions



MODEL	A(mm)	B(mm)	C(mm)	D(mm)	E(mm)
XW-2020S4	216	181	134	115	136
XW-2025S4	264	225	140	131	155
XW-2030S4	314	276	140	142	166
XW-2038S4	393	352	140	168	197

### Recommended vented enclosure informations

Model	Subwoofer Displacement (cu.ft)	Enclosure Volume (cu.ft) (net enclosure volume)	Port Area (sq.in)	Port Length (inch)	Tuning Frequency (Hz)
XW-2020S4	0.051	0.636-0.883	10.3	13.7	45
XW-2025S4	0.082	1.059-1.776	15.5	21.2	33
XW-2030S4	0.126	1.942-2.825	23.2	25.9	31
XW-2038S4	0.202	3.53-4.94	35.8	15.56	30

### Specifications

General Data		XW-2020S4	XW-2025S4	XW-2030S4	XW-2038S4
Overall Dimensions	mm	216*136	264*155	314*166	393*197
Nominal Power Handling	W	300		400	
Transient Power 10ms	W	600		800	
Sensitivity	dB	83.7	85.9	88.3	89.4
Frequency Response	Hz	56-300	43-300	39-300	34-300
Cone Material		Paper			
Net Weight	kg	3.55	3.9	4.2	4.85
Electrical Data					
Nominal Impedance	Ohm	4			
DC Resistance	Ohm	3.3			
Voice Coil and Magnet Parameters					
Voice Coil Diameter	mm	50.8			
Voice Coil Height	mm	24.5			
HE Magnetic Gap Height	mm	8			
Max. Linear Excursion	mm	8.25			
Voice Coil bobbin		Black Aluminum			
Voice Coil Wire		Copper			
Number Of Layers	layers	4			
Magnet System Type		Ferrite			
BL Product	N.A	12.78	12.8	12.94	12.1
T-S Parameters					
Suspension Compliance	Cms	0.1	0.15	0.11	0.1
Mechanical Q Factor	Qms	5.68	5.8	5.95	6.25
Electrical Q Factor	Qes	0.6	0.57	0.82	0.97
Total Q Factor	Qts	0.54	0.52	0.63	0.84
Moving Mass	Mms	95.3	124.5	156.1	198.6
Eq.Cas Air Load (liters)	VAS	3.07	23.4	55.7	100.6
Resonant Frequency	Fs	62	35	33	32
Effective Piston Area (CM <sup>2</sup> )	SD	201	330	510.7	829.5
Connection:		Parallel	Parallel	Parallel	Parallel

