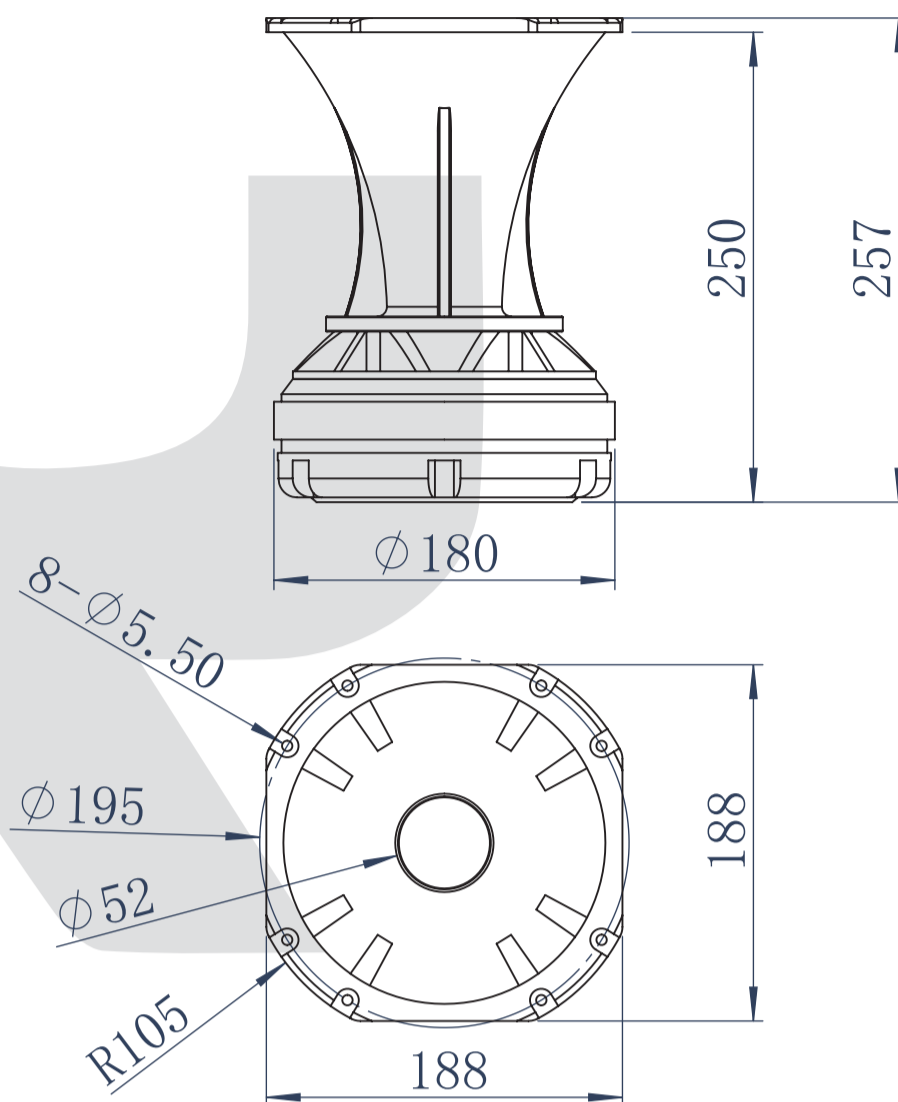


FOR-X

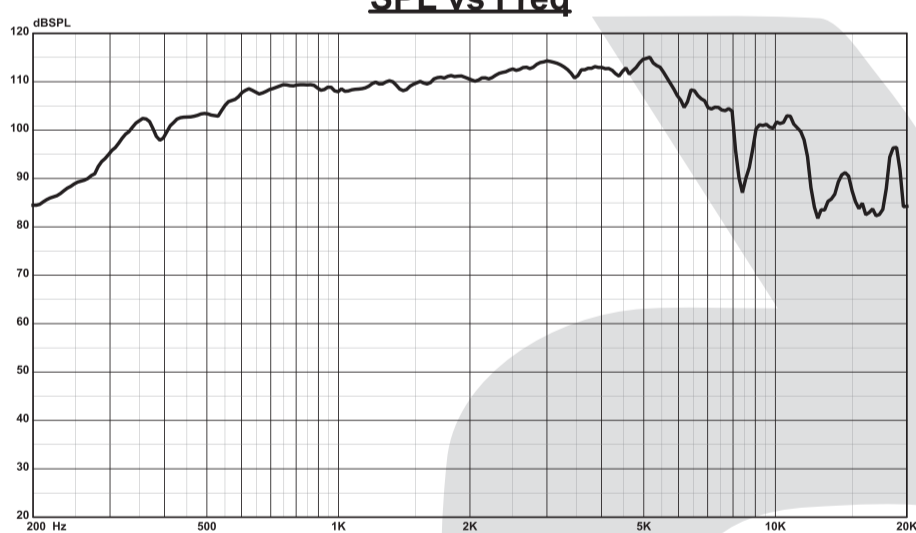
TX-75

Owner's Manual

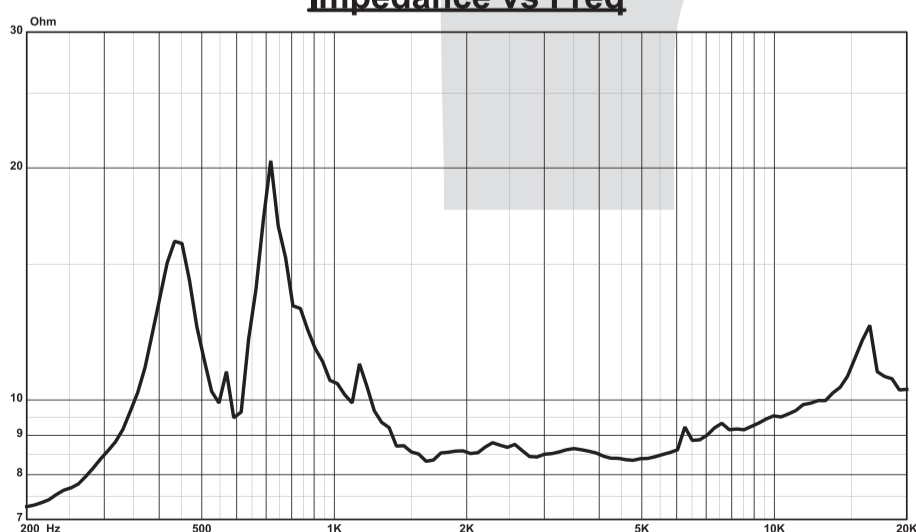
Dimensions



SPL vs Freq



Impedance vs Freq



Specifications

General Data		Unit
Overall Dimensions	188*257	mm
Nominal Power Handling	400	W
Transient Power 10ms	800	W
Sensitivity	126	dB
Frequency Response	300-9K	Hz
Dome Material	UK	
Net Weight	7.1	kg
Electrical Data		
Nominal Impedance	8	Ohm
DC Resistance	4.5	Ohm
Voice Coil and Magnet Parameters		
Voice Coil Diameter	88.9	mm
Voice Coil Height	2.8	mm
HE Magnetic Gap Height	7	mm
Max.Linear Excursion		mm
Voice Coil bobbin	Kapton	
Voice Coil Wire	CCAW	
Number Of Layers	2	layers
Magnet System Type	High Flux Ferrite	

