

X-010

4 Inch Paper cone woofer
1 Inch Voice Coil 4Ω

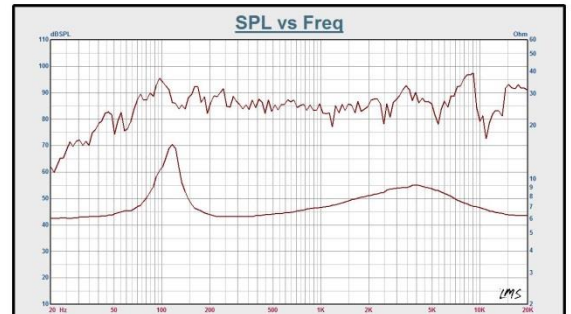
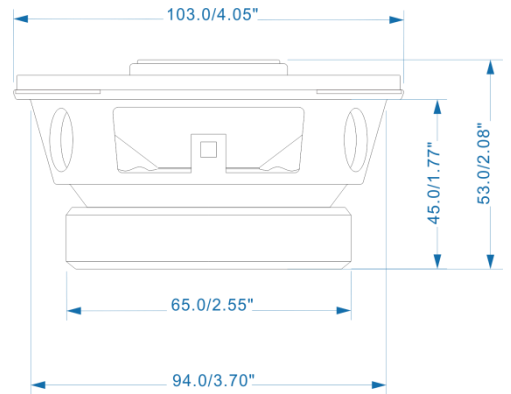


SPECIFICATIONS

General Data		Unit
Overall Dimensions	103mmX53mm	mm
Nominal Power Handling	25	W
Maximum Power	100	W
Sensitivity	84	dB
Frequency Response	70-20K	Hz
Cone Material	Paper Cone	
Basket	Steel	
Net Weight	1	Kg
Electrical Data		
Nominal Impedance	4	Ohm
DC Resistance	3.6	Ohm
Voice Coil and Magnet Parameters		
Voice Coil Diameter	25.5	Mm
Voice Coil Height	8	Mm
HE magnetic Gap Height	3	mm
VOICE COIL MATERIAL	ASV	
Number of Layers	2L	
Magnet System Type	Ferrite	
T-S Parameters		
Cms	481.921u	M/N
Qms	3.050	
Qes	1.514	
Qts	1.012	
Mms	4.237	g
Vas	2.102m	M ²
Fo	111.376	Hz
SD	5.542m	M ²

- FEATURES**
- * Steel Basket
 - * 6 Oz High Flux Ferrite Magnet System
 - * 1" Voice Coil
 - * 100 Watts Peak Power Handling

Dimensions



Rev=3.600 Ohm, F=111.376 Hz, Sd=5.542m, M7Md=4.000 g
BL=2.668 TBL, Qms=3.050, Qes=1.514, Qts=1.012, Non=0.199, % SPL=84.7 dB
Vas=2.102m, M2=Cms=481.921u, M3=Mms=4.237g, M4=Kms=332.640m, Cms=0.292
Mms=4.237 g, Mnd=4.000m, Kg, Kcm=845.359m, H, Exam=0.000

LMS 4.6.6.311 Project: Max 15, 2019
 2/19/2020 Company: File: 2019.01.13.13.13.13.13.13.13

