

# FOR-X

MODEL NO:XMD-1720NEO

8 Inch Midrange Speaker

Ø 2.5 Inch Voice Voil 4Ω



## SPECIFICATIONS

### General Data

Overall Dimensions	D×H	210mm×98mm
Nominal Power Handling(DIP)		250 W
Transient Power 10ms		500 W
Sensitivity 2.83V / 1 M	dB	95dB
Frequency Response		94-10KHz
Cone Material		Paper
Net Weight	Kg	2.05kg

### Electrical Data

Nominal Impedance	Z	4 Ohms
DC Resistance	Re	3.2 Ohms

### Voice Coil and Magnet Parameters

Voice Coil Diameter	DIA	61.1mm
Voice Coil Height		10.7mm
HE Magnetic Gap Height	HE	8mm
Max.Linear Excursion	X	1,35
Voice Coil bobbin		Kapton
Voice Coil Wire		CCAW
Number Of Layers		2 L
Magnet System Type		Neodymium
BL Product	BL	9,01

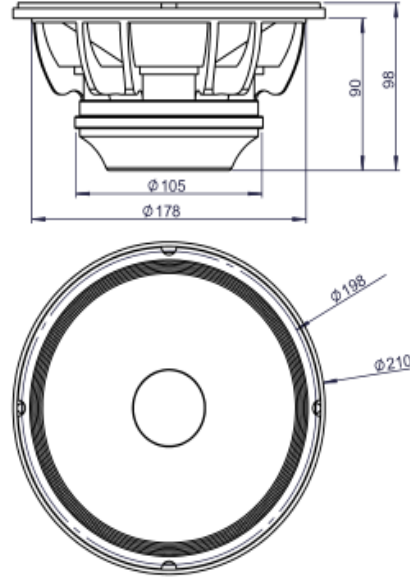
### T-S Parameters

Suspension Compliance	Cms	0.138 mm/N
Mechanical Q Factor	Qms	4,37
Electrical Q Factor	Qes	0,48
Total Q Factor	Qts	0,43
Moving Mass	Mms	20.6Gr
Eq.Cas Air Load( liters)	VAS	9.19 Lit
Resonant Frequency	Fs	94 Hz
Effective Piston Area	SD	213cm <sup>2</sup>

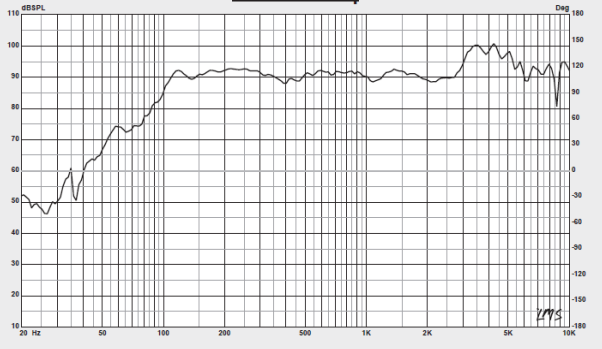
## Features

- \* Die-Cast Aluminum Basket
- \* High Flux Neodymium Magnet System
- \* 2.5" Voice Coil
- \* 500 Watts Peak Power Handling
- \* Short ring inside

## Dimensions



SPL vs Freq



Impedance vs Freq

