

XMD-3052

5.25" MIDRANGE LOUDSPEAKER

1.5 Inch Voice Coil 4 Ω



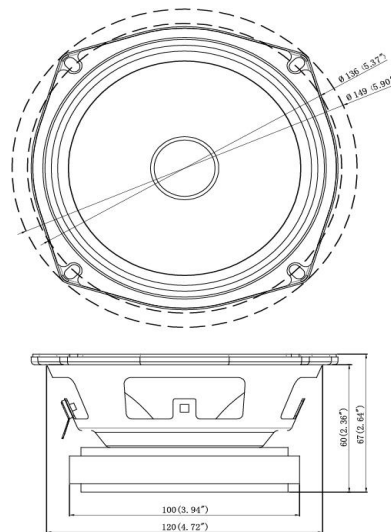
SPECIFICATIONS:

General Data		Unit
Overall Dimensions	155	mm
Mounting Depth	60	mm
Baffle Cutout Diameter	120	mm
Nominal Power Handling	70	W
Maximum Power	140	W
Sensitivity	90	Db
Frequency Response	176-15.2k	Hz
Cone Material	Paper Cone	\
Basket	Steel	\
Net Weight	1.02	KGS
Electrical Data		
Nominal Impedance	4	OHMS
DC Resistance	3.2	OHMS
Voice Coil and Magnet Parameters		
Voice Coil Diameter	38.6	mm
Voice Coil Height	7.3	mm
HE Magnetic Gap Height	5	mm
Number of Layers	2	pc
Winding Material	CCAW	\
Voice Coil Bobbin	Kapton	\
Magnet System Type	Ferrite	\
Magnet Weigth	13	Oz
T-S Parameters		
Suspension Compliance	112	Cms
Mechanical Q Factor	6.3	Qms
Electrical Q Factor	1.58	Qes
Total Q Factor	0.98	Qts
Moving Mass	7.17	Mms
Eq.Cas AIR Load	1.44	Vas
Resonant Frequency	176	Fs
Effective Piston Area	95.03cm ²	SD

Pictures



Dimensions



SPL and FREQ

