

XAD-300.4

RMS Power 2Ω: 4CH x300w@2ohm
 RMS Power 4Ω: 4CH x180w@4ohm
 THD: <1%
 Input sensitivity: 200mV-5V
 HPF: 15-6KHz
 LPF: 50-6KHz
 Bass Boost: 0-12dB
 S/N: 105dB
 Working Voltage: 9V-16V
 Distortion clip lights
 Size: 225x225x66.5mm

XAD-500.4

RMS Power 1Ω: 4CH x500w@1ohm
 RMS Power 2Ω: 4CH x270w@2ohm
 RMS Power 4Ω: 4CH x180w@4ohm
 THD: <1%
 Input sensitivity: 200mV-5V
 HPF: 15-6KHz
 LPF: 50-6KHz
 Bass Boost: 0-12dB
 S/N: 104dB
 Working Voltage: 9V-16V
 Distortion clip lights
 Size: 265x225x66.5mm

XAD-3000.1

RMS Power 1Ω: 1x3,300w@1ohm
 RMS Power 2Ω: 1x2,048w@2ohm
 RMS Power 4Ω: 1x1,095w@4ohm
 THD: <1%
 Input sensitivity: 200mV-5V
 HPF: 15-80Hz
 LPF: 80-20KHz
 Bass Boost: 0-10.5Db
 S/N: 105Db
 Working Voltage: 9V-16V
 Distortion clip lights
 With remote controller
 Size: 215x225x66.5mm

XAD-8000.1

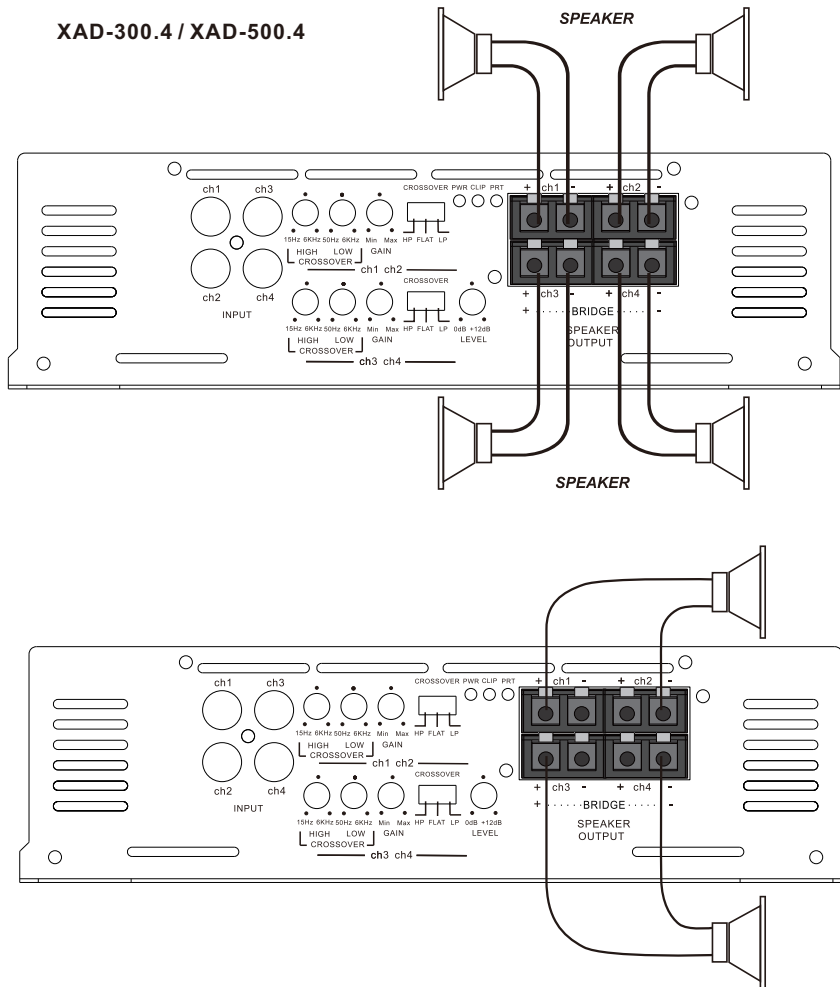
RMS Power 1Ω: 1x8,000w@1ohm
 RMS Power 2Ω: 1x4,200w@2ohm
 RMS Power 4Ω: 1x2,500w@4ohm
 THD: <1%
 Input sensitivity: 200mV-5V
 HPF: 15-80Hz
 LPF: 80-20KHz
 Bass Boost: 0-12Db
 Bass Boost Frequency: 35-70Hz
 S/N: 105Db
 Working Voltage: 9V-16V
 Distortion clip lights
 With remote controller
 Size: 380x225x66.5mm

FOR-X**OWNERS MANUAL****XAD-300.4****XAD-500.4****XAD-3000.1****XAD-8000.1**

- We greatly appreciate your purchase of the unit.
- Be sure to take maximum advantage of all the unit has to offer, read these instructions carefully and set properly. Be sure to keep this manual for future reference, should any questions or problems arise.

Fig 2 Speaker Connection

XAD-300.4 / XAD-500.4



XAD-300.4 is 2 ohm stable, the minimum speaker impedance is 2 ohm in stereo mode. In bridge mode, minimum speaker impedance is 4ohm.

XAD-500.4 is 1 ohm stable, the minimum speaker impedance is 1 ohm in stereo mode. In bridge mode, minimum speaker impedance is 2ohm.

POWER CONNECTION LEADS

Notes on the Power supply

- * Connect the 12V power supply lead only after all the other leads have been connected.
- * Be sure to connect the ground lead of unit securely to a metal point of the car. A loose connection may cause a malfunction of the amplifier.
- * Be sure to connect the remote control lead of the heat unit to the amplifier s remote terminal. A loose connection may cause a malfunction of the amplifier.
- * When using a car radio without a remote output for the amplifier, connect the remote terminal to the accessory power supply.
- * Use the power supply lead with a fuse attach attached
- * Place the fuse in the power supply lead as close as possible to the car battery.
- * Make sure that the leads to be connected to the 12V and GND terminal of this unit are larger than 10-gauge (AWG #10) power cables.

Fig 1 POWER CONNECTOR

XAD-3000.1 / XAD-8000.1

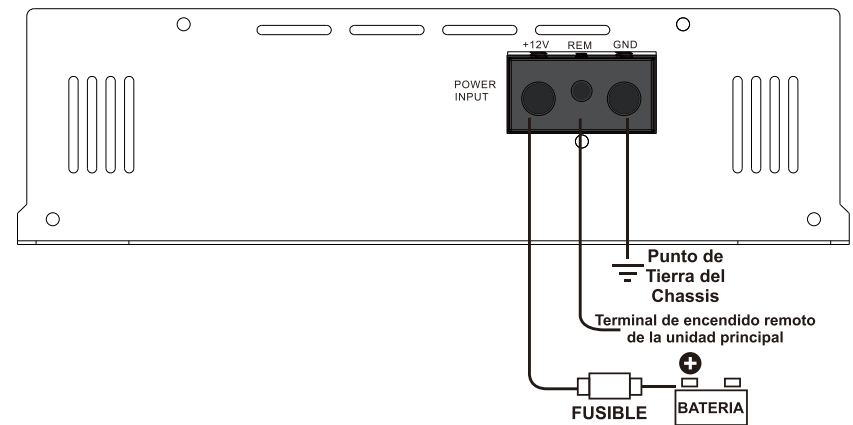


Fig 2 Speaker Connection

XAD-3000.1 / XAD-8000.1

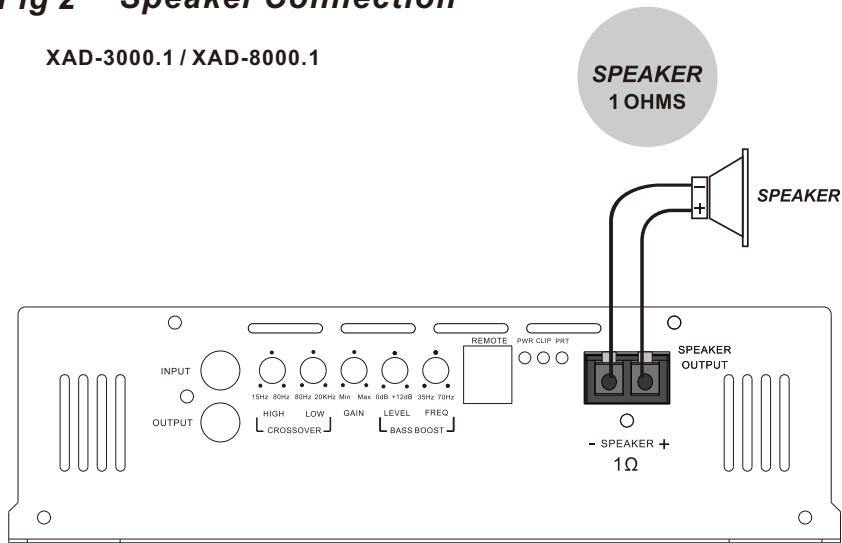


Fig 3 FRONT PANEL CONNECTOR

XAD-3000.1 / XAD-8000.1

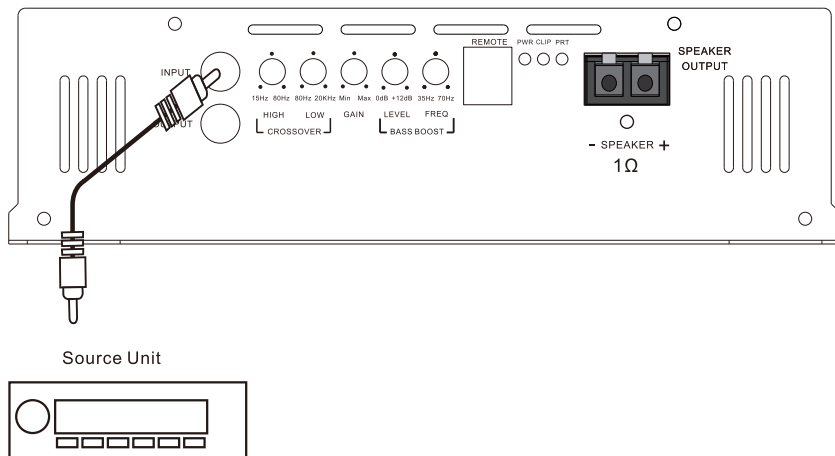


Fig 1 POWER CONNECTOR

XAD-300.4 / XAD-500.4

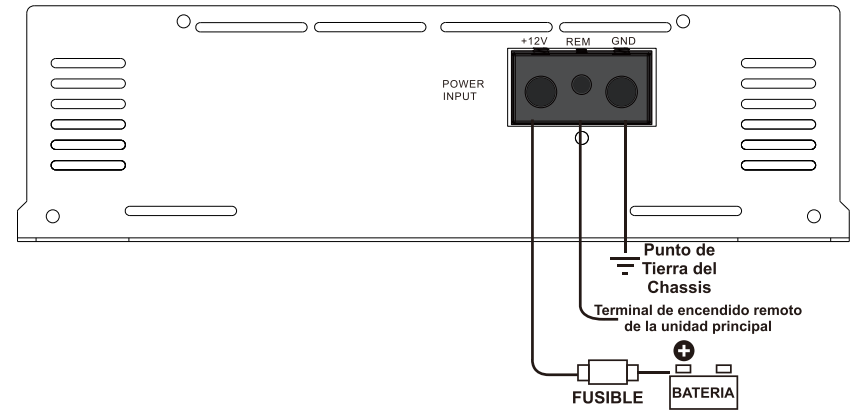


Fig 3 FRONT PANEL CONNECTOR

XAD-300.4 / XAD-500.4

