

FOR-X®

X-3016C USER MANUAL

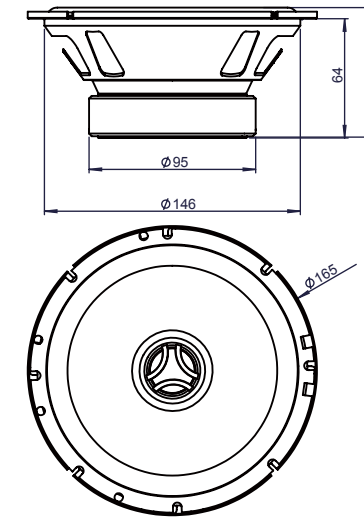
148*210

X-3016C
6.5 Inch 2-Way Car Coaxial Speaker
1.25" Voice coil, 4 Ω

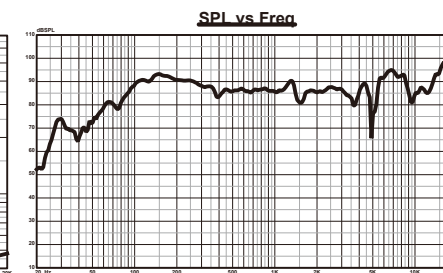
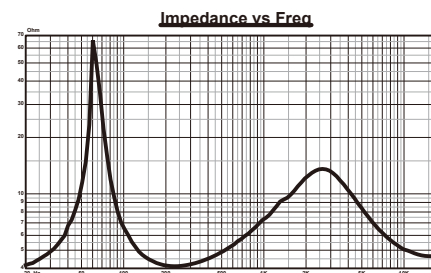
FOR-X®

SPECIFICATIONS

| General Data | | | Unit |
|----------------------------------|-------------------|-----------|-----------------|
| Type | Woofers | Tweeter | |
| Overall Dimensions | 165*74 | | mm |
| Nominal Power Handling | 50 | | W |
| Transient Power 10ms | 100 | | W |
| Sensitivity | 89.3 | | dB |
| Frequency Response | 58-20K | | Hz |
| Cone Material | Fiberglass | Silk | |
| Net Weight | 1.1 | | kg |
| Electrical Data | | | |
| Nominal Impedance | 4 | 4 | Ohm |
| DC Resistance | 3.2 | 3.6 | Ohm |
| Voice Coil and Magnet Parameters | | | |
| Voice Coil Diameter | 30.5 | 25.4 | mm |
| Voice Coil Height | 10.5 | 1.5 | mm |
| HE Magnetic Gap Height | 5 | 2 | mm |
| Max. Linear Excursion | 2.75 | | mm |
| Voice Coil bobbin | KAPTON | Kapton | |
| Voice Coil Wire | Copper | CCAW | |
| Number Of Layers | 2 | 2 | layers |
| Magnet System Type | High Flux Ferrite | Neodymium | |
| BL Product | 5.7 | | N.A |
| T-S Parameters | | | |
| Suspension Compliance | Cms | 0.53 | |
| Mechanical Q Factor | Qms | 8.9 | |
| Electrical Q Factor | Qes | 0.53 | |
| Total Q Factor | Qts | 0.5 | |
| Moving Mass | Mms | 13.8 | |
| Eq. Cas Air Load (liters) | VAS | 14.66 | Liter |
| Resonant Frequency | Fs | 58 | Hz |
| Effective Piston Area | SD | 138 | cm ² |



FOR REFERENCE ONLY



CE

148*210